



TECEflushing
technology

The TECE flush-mounted cistern



TECE 
intelligent housing
technology

More than just an alternative ... TECE's flush-mounted cistern

TECE keeps everything simple.

The TECE cistern uses the same standard cistern for all common fitting situations and applications.

- The same flushing technology for all applications
- Single or dual flush using the same internal mechanism
- Push plates for front or top operation
- Compatible with commercially available spare parts (standard filling valve, bell gasket, etc.)
- Suitable for TECEambia and TECEplanus push plates and toilet flush handles from a range of manufacturers
- Sound-proofing tested pursuant to DIN 4109/AG1

- 1 Blow-moulded tank made of shock-resistant HDPE
- 2 Everything is pre-assembled: water connection, corner valve and reinforced hose
- 3 The first sealed cistern to provide protection during the shell construction stage
- 4 Identical push plates for both front and top assembly



TECEambia and TECEplanus toilet cistern push plates

- Matching the TECE cistern
- Stylish, extra-small plates
- Single and dual flush with different surface finishes

No compromises ... Security through tested technology

As the manufacturer of the TECE-profil curtain wall system, we have many years of experience with flushing systems and know what the experts want: **Quality and safety!**

- Every cistern is pressure-tested prior to delivery
- 100% testing of cistern functions
- Filling valve tried and tested a million times over



Sealed cisterns mean additional safety for you.

TECE cisterns are pre-assembled ex factory, so they only have to be connected to the water pipes for fitting in the shell structure.

The cistern needs to be opened only for fine tuning. It is fitted with a seal to prevent opening.



The protective plate is a compact unit consisting of the splash guard, lever mechanism and fixing device.



After the shell construction stage: The reinforced pipe is attached to the plug connection on the filling valve with no need for tools.

An undamaged seal means:

- The inside of the cistern is complete and clean.
- The corner valve is closed, so the cistern does not have to be opened for pressure testing.
- No unauthorised parties have opened the cistern.



Easy to service: Despite the small push plate, the filling and drain valve can be fitted very easily and independently.

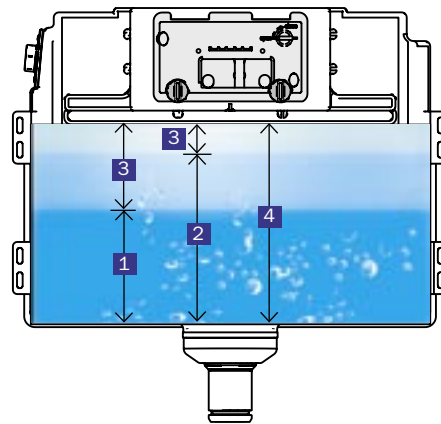


The push rods can be inserted quickly and accurately using the alignment marks.

Saving water is all very fine, but thorough flushing is also important.

Saving water is all very fine, but not at any cost. There is no doubt that low flush volumes help to save water, but excessive saving of water can be an expensive luxury in older buildings.

- The TECE cistern can be set to a high flush volume (9 litres) if required. This means that reliable flushing of the drainpipes is ensured even under less than ideal conditions.
- Dual flush option to save water (6/3 litre or 9/3 litre)
- Single flush option: Complete certainty with every flush: choice of either 6 or 9 litres
- Residual water volume for additional flushing power; can be used for an immediate follow-up flush if needed



10-litre safety tank

- 1 6-litre standard flush volume
- 2 9-litre safety flush volume
- 3 1 or 4-litre follow-up flush volume
- 4 10-litre tank volume

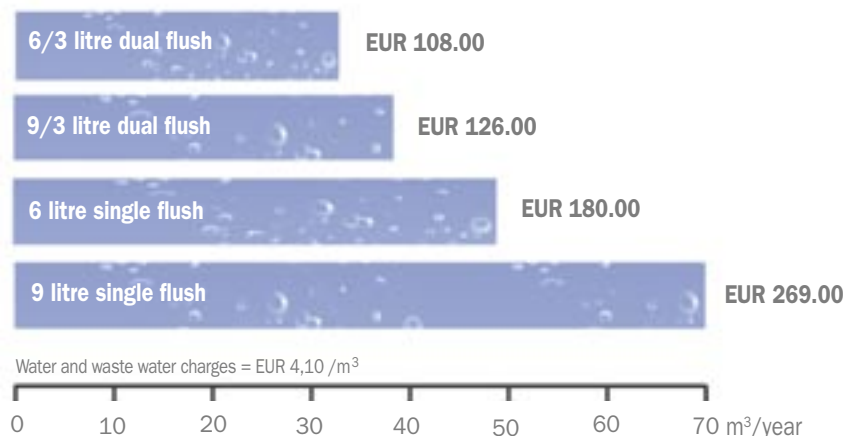


The standard setting for the large flush volume is 6 litres. To switch to the 9-litre flush volume, remove the easily accessible drain valve and turn the lever to the 9-litre position.

Saving water with dual flush

The chart shows the saving effect that can be achieved using the dual flush option in a four-person household each year. The figures are based on five flushes per person per day (1 x large, 4 x small).

Using the small 6/3-litre flush volume, the saving compared to the large 9/3 flush volume is only EUR 18. This saving is rapidly lost if the water pipes become blocked.



The all-rounder ... A cistern for all seasons

TECE's flush-mounted cistern is a multi-purpose standard unit. It can be used in a wide range of applications, even though it comes in only two model types with identical internals.



The TECE cistern can be used in a wide range of applications even though it comes in only two model types.



TECEprofil universal module for toilets with TECE cistern; front operation.



820 mm TECEprofil universal module for toilets with TECE cistern; front or top operation.



TECEprofil toilet connection module with TECE cistern; front operation.



TECEbox brick wall cistern; front-operation.

TECE toilet push plates to match the TECE cistern

The **TECEambia** and **TECEplanus** series offer a series of toilet push plates to match the **TECE** cisterns.

A further, absolutely unique method of operating the cistern is the toilet flush handle with the **TECE** rotary mechanism.

Flush handles are available from **DORNBRAUCHT**, **HANSA**, **EMCO**, **JADO** and **ORAS** to match the various series of tap fittings by these manufacturers.



TECEambia plastic push plates with a choice of single or dual flush



TECEantibac+ white



TECEambia white



TECEambia bright chrome



TECEambia matte chrome



TECEambia Chrome Mix 1
Frame: bright chrome
Buttons: matte chrome



TECEambia Chrome Mix 2
Frame: matte chrome
Buttons: bright chrome

TECEplanus push plates in stainless steel or bright chrome brass, with a choice of single or dual flush



TECEplanus
Bright chrome brass



TECEplanus
Brushed stainless steel



Toilet fittings are already available from these manufacturers.

TECE GmbH & Co. KG
Export Department
Hollefeldstrasse 57
48282 Emsdetten
Germany
Tel. +49 2572 928 130
Fax +49 2572 928 204
info@tece.de
www.tece.de

TECE ■
intelligent housing
technology