

York YOR-N-SW



Traditional double-ended bath

- Made from QUARRYCAST®
 - One piece casting of rare volcanic limestone and resin
 - Harder and more durable than acrylic
- Easy clean high gloss finish
- Exterior and feet can be painted
- 25 year guarantee

Full plinth hides waste pipe work



Bath:

- **No tap holes**
Suitable for freestanding or wall mounted taps - or special order brassware requiring bespoke on-site drilling of holes.

Recommended Waste:

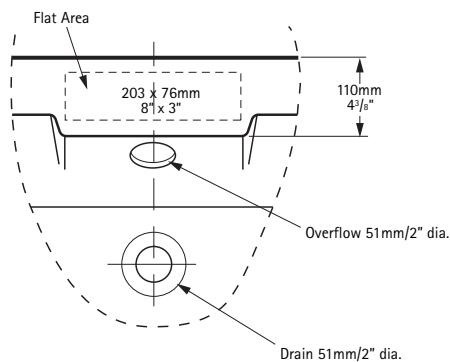
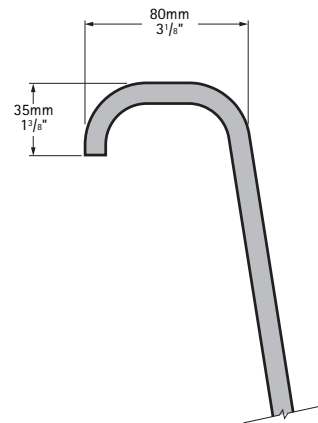
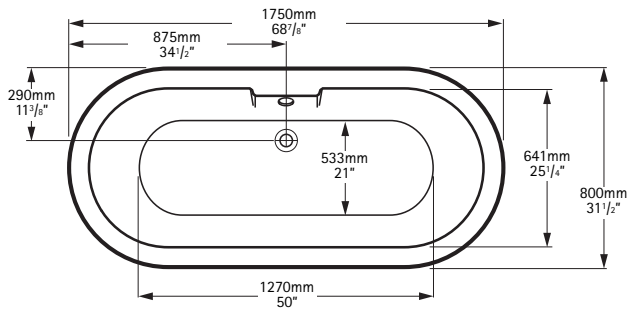
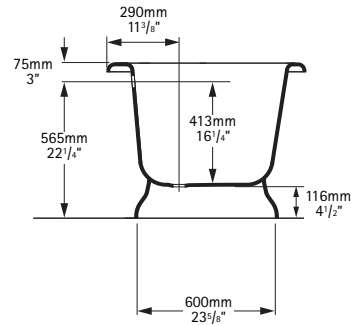
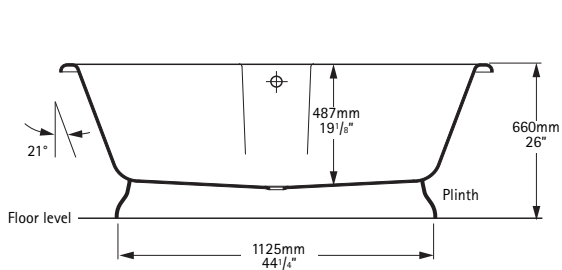
Universal overflow waste kit - KIT16C

Note: For product specifications please see over



York YOR-N-SW

Traditional double-ended bath



General specifications for York bath

Installed size	1750mm x 800mm x 660mm
Weight	70kg
Weight with water	346kg
Litres to overflow	276 litres
Bathing well at sump	1270mm x 533mm
Bathing well at rim	1590mm x 641mm
Water depth to overflow	413mm

Notes

Refer to installation instructions supplied with bath for additional information. The plinth supplied supports sump of bath. No additional support required.

Fittings (taps & drain assembly) not included and must be ordered separately. If installing deck mounted brassware refer to 'drilling tap holes' instructions before installation.

Important

Dimension of fixtures are nominal and may vary within the range of tolerances established by ANSI standard A112.19.4M.

These measurements are subject to change or cancellation.

No responsibility is assumed for use of superseded or void leaflet.